

Standard COB LED Flood Lights



CHIMEI



Specification:

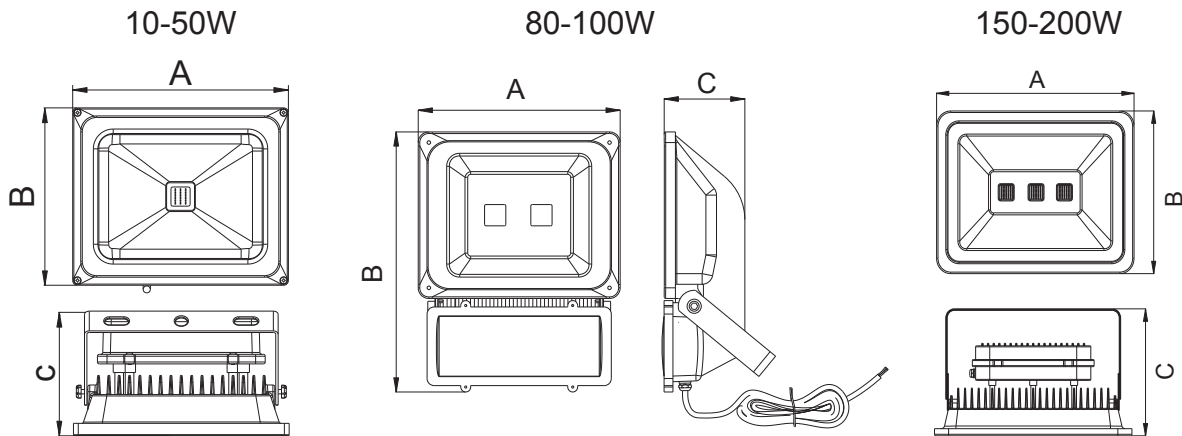
- Nicely treated die-casting ADC12 aluminum alloy housing
- 4mm tempered glass cover, strong protection and good optical function
- Waterproof: IP65
- Operating Temperature: -20-50°C
- Storage Temperature: -40-60°C

Application:

Garden, residential area, landscape, architectural decorative lighting, roads and other places.



● Dimensions



Model No.	Product Dimension (mm)		
	A	B	C
ENFL-10W-01S	130	110	100
ENFL-20W-01S	210	185	140
ENFL-30W-01S	265	235	165
ENFL-50W-01S	325	265	185
ENFL-80W-01S	285	360	110
ENFL-100W-01S	285	360	110
ENFL-150W-01S	435	335	230
ENFL-200W-01S	460	325	190

● Data

Model No.	ENFL-10W-01S	ENFL-20W-01S	ENFL-30W-01S	ENFL-50W-01S	ENFL-80W-01S	ENFL-100W-01S	ENFL-150W-01S	ENFL-200W-01S
Input Voltage	85-265VAC, 50-60Hz							
PF	>0.5			>0.9				
Power (W)	10	20	30	50	70	100	150	200
Lumen (lm)	1000	2000	3000	5000	7000	10000	15000	20000
CRI	> 80							
Beam Angle	120°							
Color	2700-3200K/4000-4500K/5500-6500K							
IP Grade	IP65							
LED	CHIMEI 30mil			CHIMEI 35mil				
LED Driver	GS Approved Driver							
Packing Dimension (mm)	20PCS 525×275×240	8PCS 435×295×395	4PCS 345×280×495	2PCS 400×355×285	2PCS 345×315×455	2PCS 345×315×455	1PC 335×435×230	1PC 480×350×210
Net Weight/ Gross Weight (Kg)	20PCS 11.2/13.5	8PCS 9.5/11.2	4PCS 9.2/9.9	2PCS 6.2/7.3	2PCS 10.6/12.2	2PCS 10.6/12.2	1PC 7.9/8.5	1PC 7.6/8.3

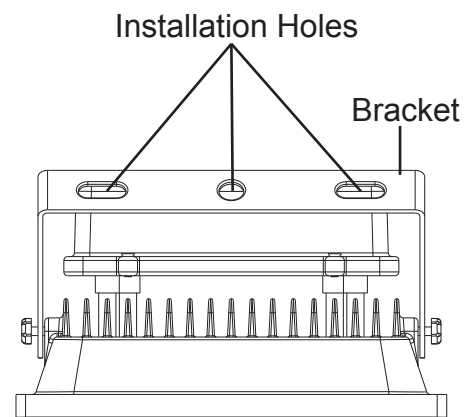
● User Instruction:

1. Rated operational voltage: AC85~265V 50/60HZ. The input voltage should be stable to avoid large fluctuation. It should be no more than rated operational voltage.
2. Ambient temperature for storage: $-40^{\circ}\text{C}\sim+60^{\circ}\text{C}$
Ambient temperature for working: $-20^{\circ}\text{C}\sim+50^{\circ}\text{C}$
The best ambient temperature for working: $-0^{\circ}\text{C}\sim+30^{\circ}\text{C}$
3. There are glass fittings for the light. Please handle with care. To avoid the glass from being broken, heavy loading is forbidden.

● Installation Instruction:

It is suggested that the LED flood lights should be installed by professionals following the instructions. Otherwise, the following consequences may result.

1. The light given out by the flood light cannot be fully displayed. The beam angle is inappropriate.
2. The light cannot work normally
3. The danger of electric shock.



Step 1: Inspect installation position

First check whether the support or screws of the installation position can bear the weight of 1.5 times more than the body weight of the light. If not, please do not install.

Step 2: Fix the light

If the support for installation is steel, aluminum or iron bracket, please drill three holes in the metal support. The location of the holes is the same as what is on the bracket. Please align the holes on both the bracket of the light and the metal bracket. Then lock them with screws. If the place for installation is cement or concrete on flat surface, please drill holes with jackhammer on the corresponding position of the mounting surface. Then fix the light with setscrews of more than $\Phi 10\text{MM}$.

1. Pass the screw through the bracket



2. Lock the screw



3. Install completed

