

ENELTEC[®]

brighten your ideas

RGB COB LED Flood Lights



Specification:

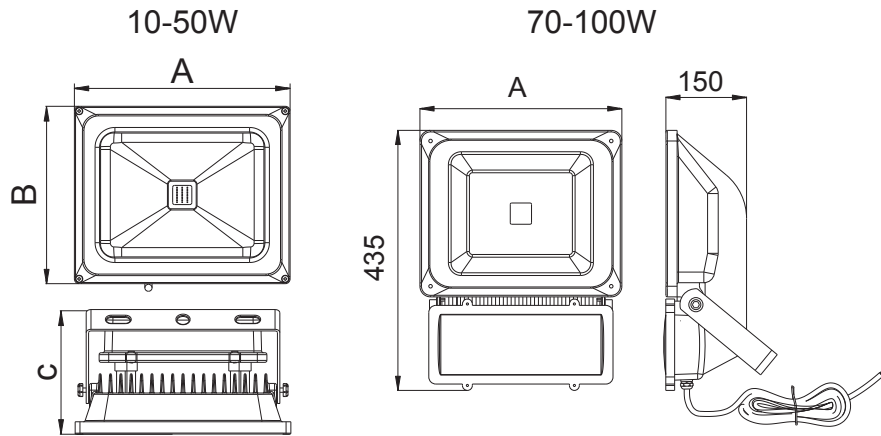
- Nicely treated die-casting ADC12 aluminum alloy housing
- 4mm tempered glass cover, strong protection and good optical function
- Waterproof: IP65
- Operating Temperature: -20-50°C
- Storage Temperature: -40-60°C

Application:

Garden, residential area, landscape, architectural decorative lighting, roads and other places.



● Dimensions



Model No.	Product Dimension (mm)		
	A	B	C
ENFL-10W-01RGB	115	100	85
ENFL-20W-01RGB	180	140	135
ENFL-30W-01RGB	225	185	160
ENFL-50W-01RGB	285	360	183
ENFL-70W-01RGB	285	360	183
ENFL-100W-01RGB	290	360	183

● Data

Model No.	ENFL-10W-01RGB	ENFL-20W-01RGB	ENFL-30W-01RGB	ENFL-50W-01RGB	ENFL-70W-01RGB	ENFL-100W-01RGB
Input Voltage	85-265VAC, 50-60Hz					
PF	>0.5			>0.9		
Power (W)	10	20	30	50	70	100
Lumen (lm)	900	1800	2700	4500	6300	9000
CRI	>70					
Beam Angle	120°					
Color	RGB					
IP Grade	IP65					
LED	Sanan 30mil					
LED Driver	CE Driver					
Packing Dimension (mm)	30PCS 500×250×320	12PCS 385×330×340	10PCS 600×250×430	8PCS 540×305×500	4PCS 570×430×310	4PCS 570×430×310
Net Weight/ Gross Weight (Kg)	30PCS 12.0/14.0	12PCS 12.0/14.2	10PCS 15.0/17.0	8PCS 16.8/19.0	4PCS 14.5/17.0	4PCS 17.0/19.0

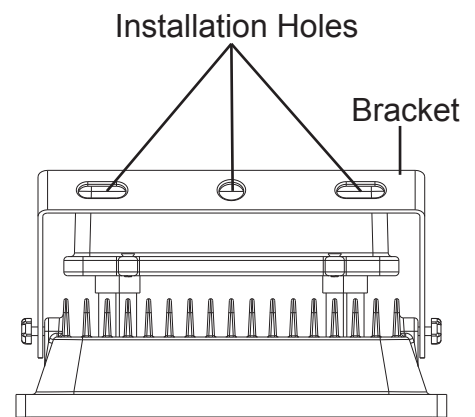
● User Instruction:

1. Rated operational voltage: AC85~265V 50/60HZ. The input voltage should be stable to avoid large fluctuation. It should be no more than rated operational voltage.
2. Ambient temperature for storage: $-40^{\circ}\text{C}\sim+60^{\circ}\text{C}$
Ambient temperature for working: $-20^{\circ}\text{C}\sim+50^{\circ}\text{C}$
The best ambient temperature for working: $-0^{\circ}\text{C}\sim+30^{\circ}\text{C}$
3. There are glass fittings for the light. Please handle with care. To avoid the glass from being broken, heavy loading is forbidden.

● Installation Instruction:

It is suggested that the LED flood lights should be installed by professionals following the instructions. Otherwise, the following consequences may result.

1. The light given out by the flood light cannot be fully displayed. The beam angle is inappropriate.
2. The light cannot work normally
3. The danger of electric shock.



Step 1: Inspect installation position

First check whether the support or screws of the installation position can bear the weight of 1.5 times more than the body weight of the light. If not, please do not install.

Step 2: Fix the light

If the support for installation is steel, aluminum or iron bracket, please drill three holes in the metal support. The location of the holes is the same as what is on the bracket. Please align the holes on both the bracket of the light and the metal bracket. Then lock them with screws. If the place for installation is cement or concrete on flat surface, please drill holes with jackhammer on the corresponding position of the mounting surface. Then fix the light with setscrews of more than $\Phi 10\text{MM}$.

1. Pass the screw through the bracket



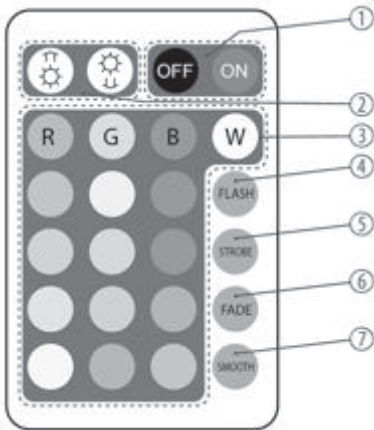
2. Lock the screw



3. Install completed

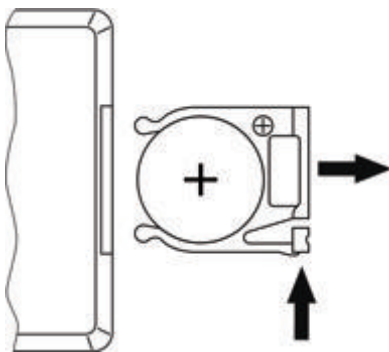


● Remote Control Instruction:



1	[ON]/[OFF] Buttons to switch the unit on or off.
2	Brightness control.
3	Colour selection buttons. Use the <ul style="list-style-type: none"> ■ [W] button for white light, ■ [R], [G] or [B] button for the basic colours red, green and blue, ■ the coloured buttons to directly select a mixed colour.
4	[FLASH] Automatic change of all colours.
5	[STROBE] No function.
6	[FADE] Fast automatic change of all colours with blending effect.
7	[SMOOTH] Slow automatic change of all colours with blending effect.

Inserting the battery into the remote control



The IR sensor for the remote control signals is firmly connected to the device with a separate cable. Set up the receiver in such a way that there are no interfering objects between remote and receiver.

Establish all connections as long as the unit is switched off. Use the shortest possible high-quality cables for all connections.

Press the lock of the battery holder to the centre of the housing and pull out the battery holder like a drawer. Insert the battery. The battery is correct if the positive pole points to the housing base of the remote control. Slide the battery holder back into the remote until it clicks into place.

When shipping, the battery is already installed in the remote and protected against discharge by a transparent plastic foil. Remove the plastic foil prior to first use.