

# ENELTEC<sup>®</sup>

brighten your ideas

## Portable LED Explosion Proof Flood Lights



BRIDGELUX<sup>®</sup>

MOSO<sup>®</sup>



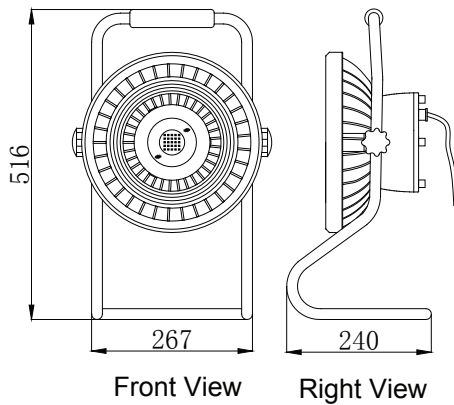
### Specifications:

- Power: 20W-120W
- Beam Angle: 60°/90°/120°
- Voltage: 100-240VAC/12/24/48VDC
- Explosion-Proof Rating: Ex dIICT6 / Ex deIICT6
- Color: 3000-3500K / 4000-4500K / 6000-6500K
- Operating temperature: -40 to + 60°C
- Material: Aluminium Alloy Extruded Shape
- Light Degradation: < 5% in 20,000 hours
- Warranty: 2 years

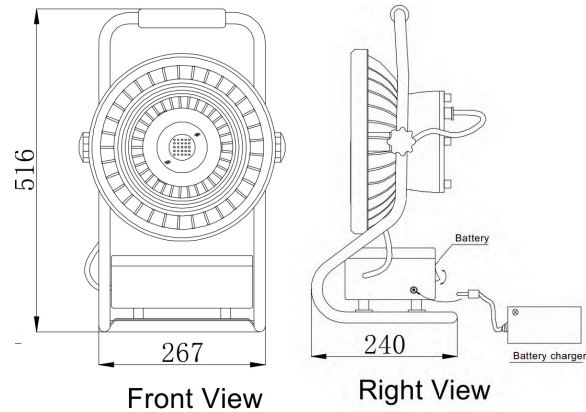


## Dimensions:

Model	Dimension(mm) A×B
ENEP-04(B)	267×240×516



ENEP-04



ENEP-04B

## Applications:

LED Explosion Proof are applicable to mine field, workshops, military establishments, gas station, and the place where there is inflammable and explosive materials.

## Packing:

Model	ENEP-20W-04 ENEP-30W-04 ENEP-40W-04	ENEP-20W-04B ENEP-30W-04B ENEP-40W-04B	ENEP-50W-04,ENEP-60W-04, ENEP-70W-04,ENEP-80W-04, ENEP-90W-04,ENEP-100W-04, ENEP-110W-04,ENEP-120W-04	ENEP-50W-04B,ENEP-60W-04B, ENEP-70W-04B,ENEP-80W-04B, ENEP-90W-04B,ENEP-100W-04B
Carton (mm)	340×320×540	340×320×540	340×320×540	340×320×540
Quantity	1 Unit	1 Unit	1 Unit	1 Unit
Net Weight (Kg)	4.7	6.6	7.2	8.6
Gross Weight (Kg)	6.4	8.3	8.8	10.2

## Warning:

1. It is waterproof.
2. Please do not touch the products when they are working.

# Parameters

Item	ENEP-20W-04(B)	ENEP-30W-04(B)	ENEP-40W-04(B)	ENEP-50W-04(B)	ENEP-60W-04(B)	ENEP-70W-04(B)	ENEP-80W-04(B)	ENEP-90W-04(B)	ENEP-100W-04(B)	ENEP-110W-04	ENEP-120W-04
Voltage	85-265VAC/12VDC Battery Models:24VDC 11AH Li-ion Battery Supply			85-265VAC/24VDC/48VDC Battery Models:24VDC 11AH Li-ion Battery Supply							
PF	>0.95										
Power Efficiency	94%										
THD	<3%										
Power (W)	20	30	40	50	60	70	80	90	100	110	120
Lumen (lm)	1800	2700	3600	4000	4800	5600	6400	7200	8000	8800	9600
Beam Angle	60°/90°/120°										
Color	3000-3500K / 4000-4500K / 6000-6500K										
CRI	>80										
Lux from 3m	68	103	138	173	208	243	277	312	347	416	416
Lux from 6m	19	27	35	43	51	60	68	77	85	147	147
Lux from 8m	12	16	20	24	29	33	38	43	47	101	101
Lux from 10m	10	12	14	16	18	21	25	27	30	35	35
Lighting Area from 3m	12 x 8 m										
Lighting Area from 6m	24 x 15 m										
Lighting Area from 8m	30 x 20 m										
Lighting Area from 10m	38 x 25 m										
Battery Duration (Hours)	13.2	8.8	6.6	5.3	4.4	3.8	3.3	2.9	2.6		
LED	BRIDGELUX										
LED Driver	MOSO										
Working Temperature	-40°C~60°C										
Working Humidity	0~100%										
IP Rating	IP67 / IP65 (Battery Models)										
Explosion-Proof Rating	Ex dIICT6 / Ex deIICT6 (Battery Models)										
Lifespan (Hour)	50,000										